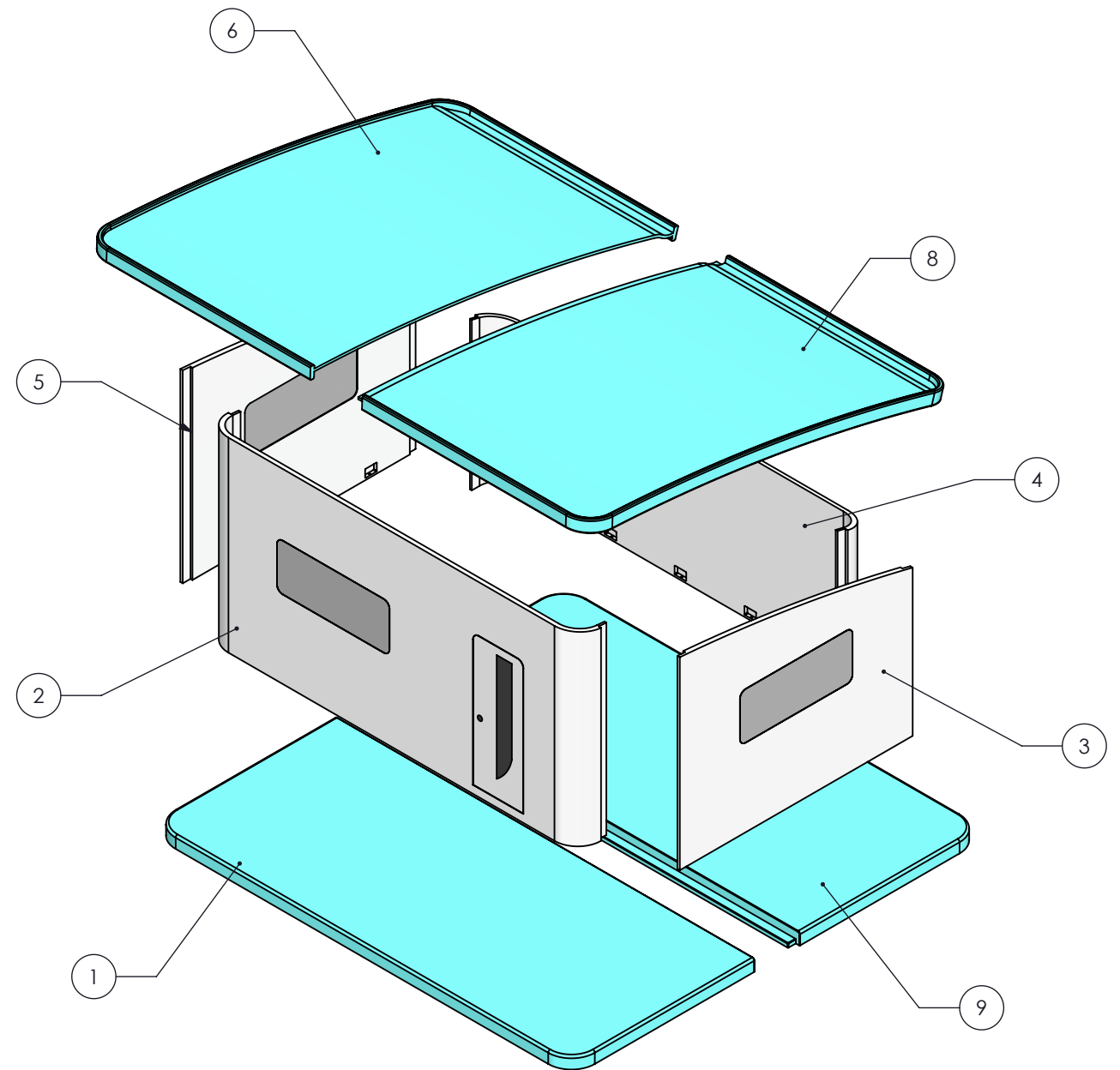


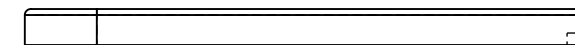
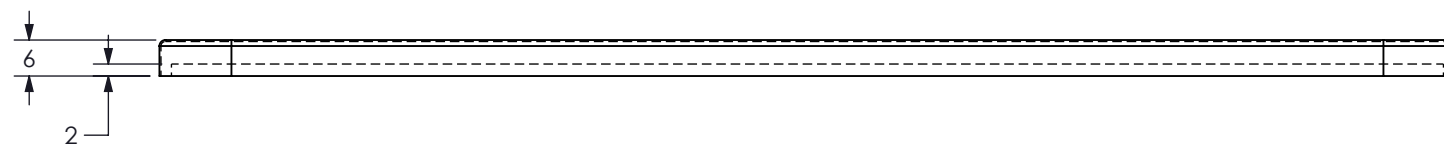
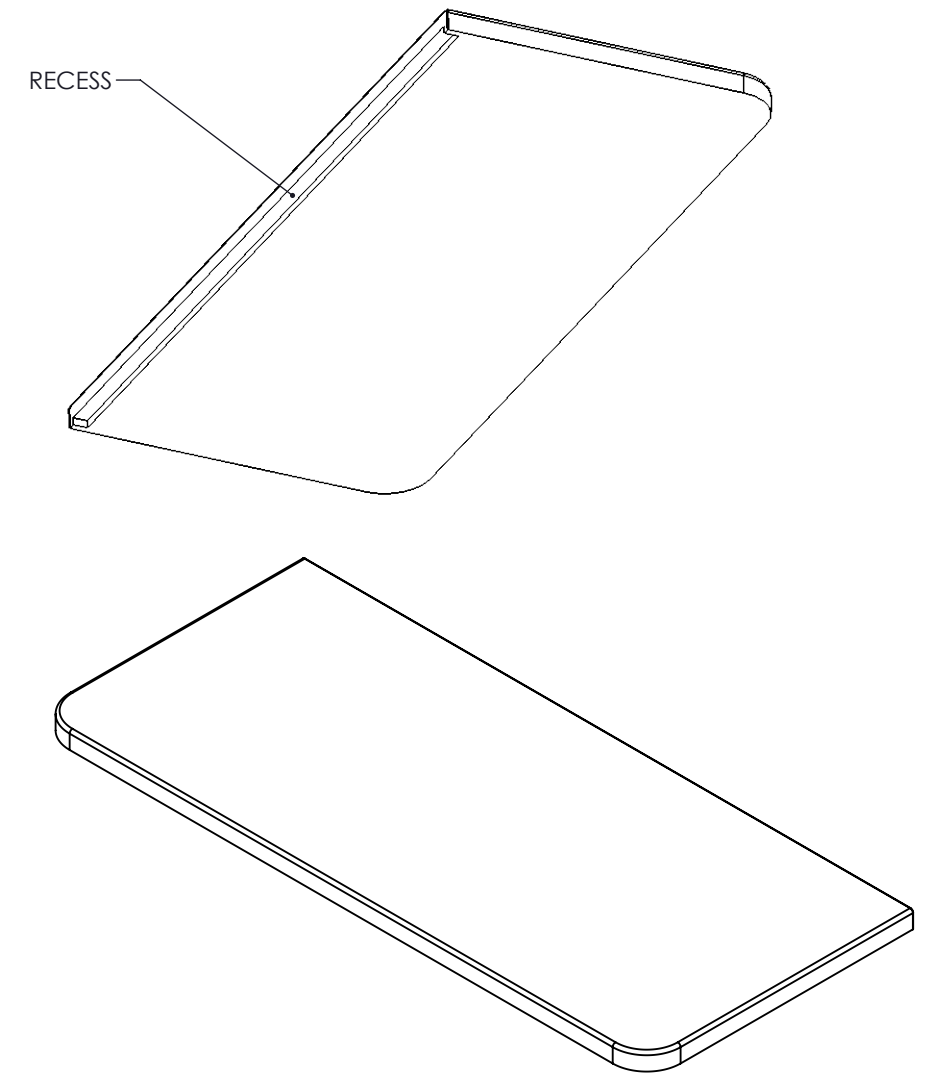
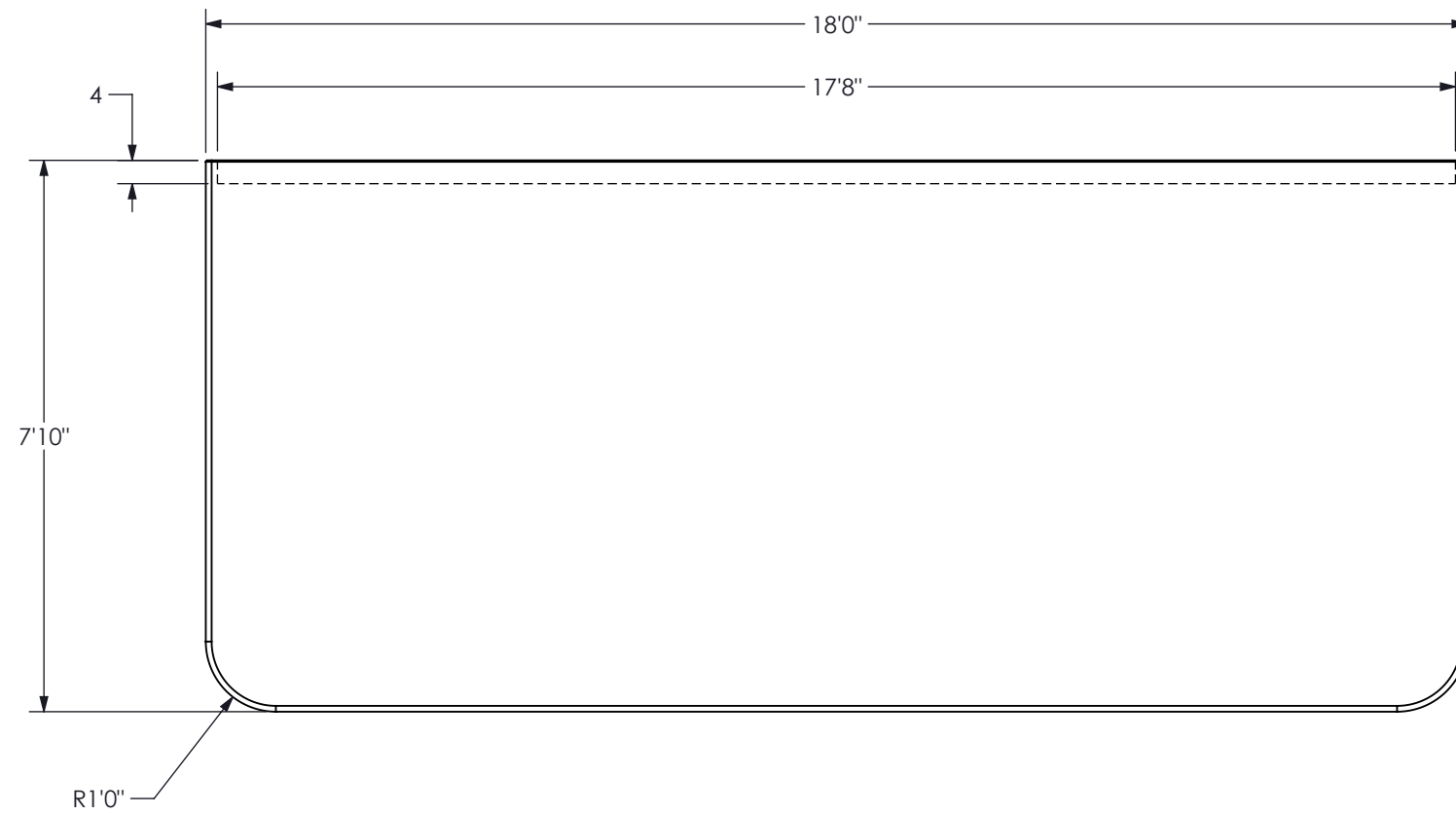
The attached information is the exclusive property of UGLS and is protected under the copyright laws of the United States and other countries. All persons to whom this information is shared agree that they will not make use of, or disclose to any third party, this information without the expressed written permission of UGLS. Any unauthorized use of this information may constitute a violation of the United States Copyright Act.

PROJECT: FUTURO HOMES	JOB #:	PART #: FH200	DRAWING #:	PART NAME: FH200	VERSION:	TOLERANCES DECIMAL: .015 FRACTIONS: 1/32 XXX = ±.015 XX = ±.030 X = ±.1	ANGLE = ±1/2°	<b>PROTOTYPE</b> FOR PROTOTYPE OR QUOTE ONLY	SHEET: 1 OF 10
MATERIAL:	FINISH:	SCALE: 1:60	DATE: 8/17/2023	DRAWN BY: N.RUMSCHLAG					

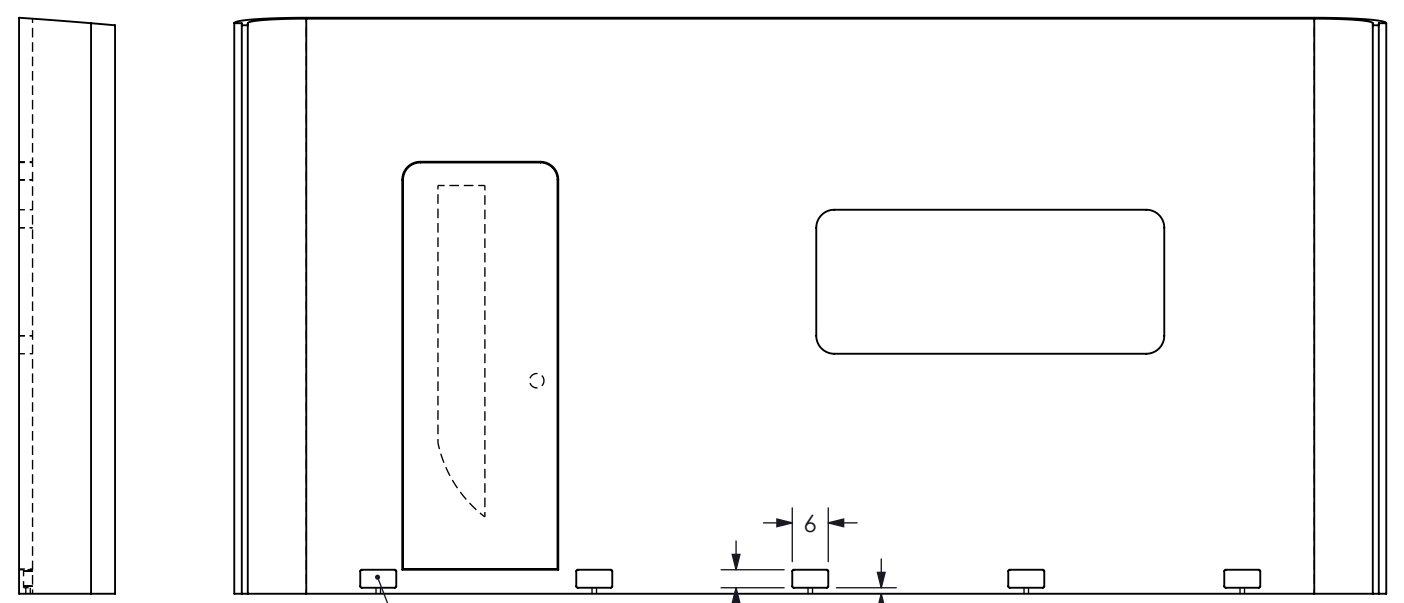
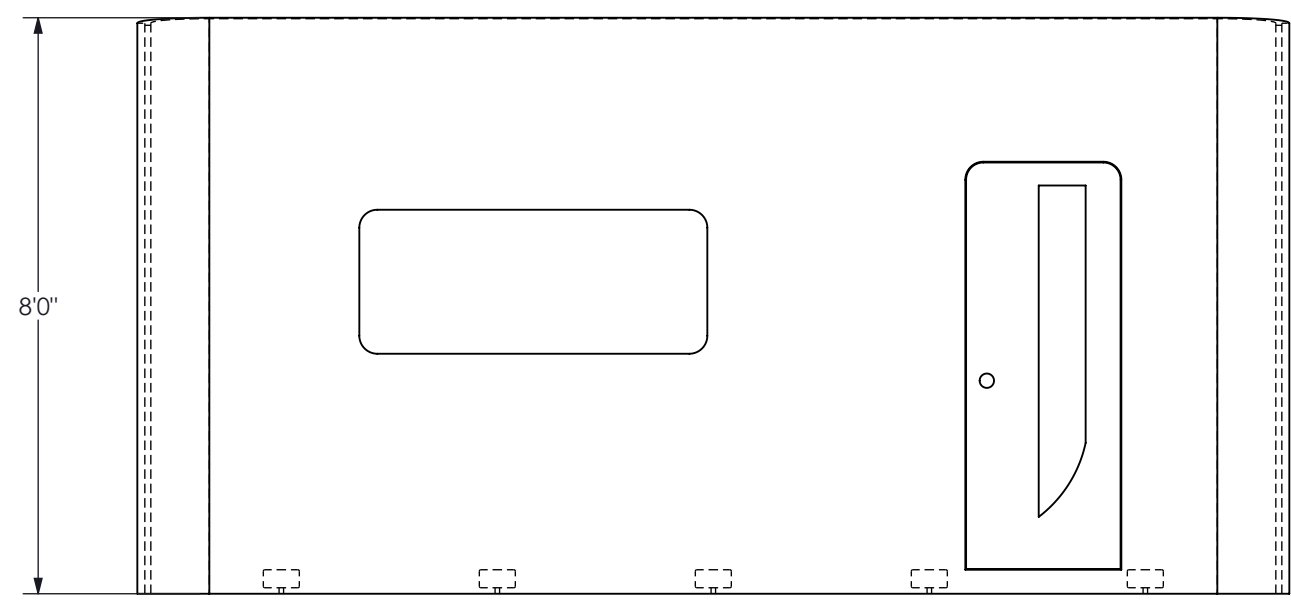
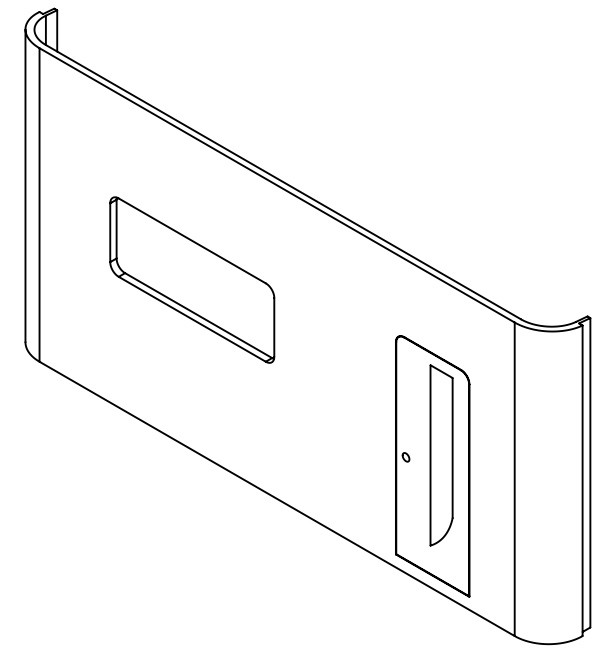
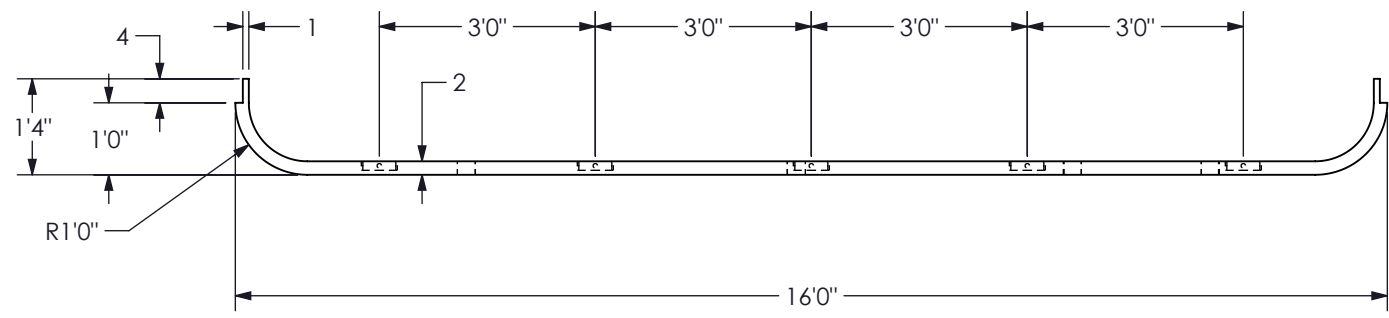
ITEM NO.	PART NUMBER	DESCRIPTION	QTY.
1	FH200-001	FLOOR FRONT HALF	1
2	FH200-002	FRONT WALL	1
3	FH200-003	RIGHT SIDE WALL	1
4	FH200-004	BACK WALL	1
5	FH200-009	LEFT SIDE WALL	1
6	FH200-005	ROOF LEFT HALF	1
7	FH200-006	WINDOWS	3
8	FH200-007	ROOF RIGHT HALF	1
9	FH200-008	FLOOR BACK HALF	1



The attached information is the exclusive property of UGLS and is protected under the copyright laws of the United States and other countries. All persons to whom this information is shared agree that they will not make use of, or disclose to any third party, this information without the expressed written permission of UGLS. Any unauthorized use of this information may constitute a violation of the United States Copyright Act.

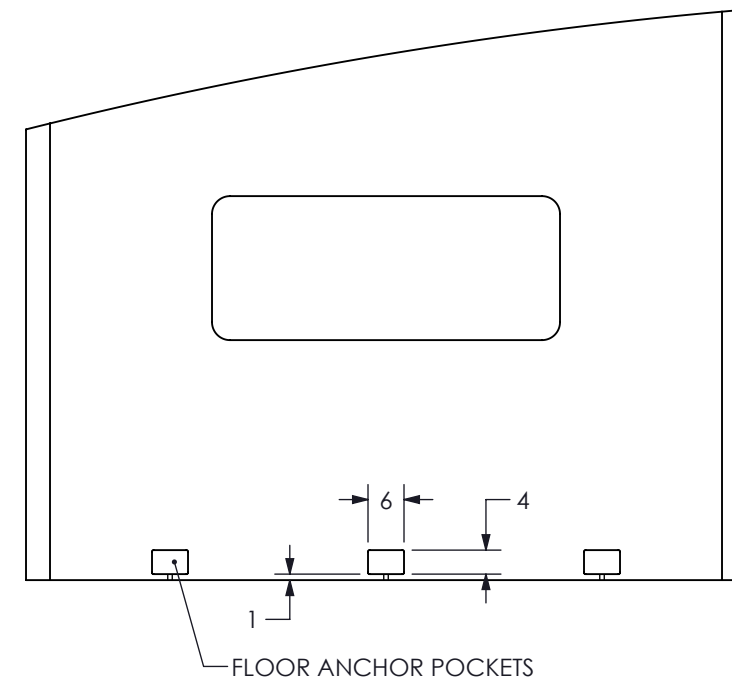
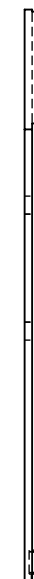
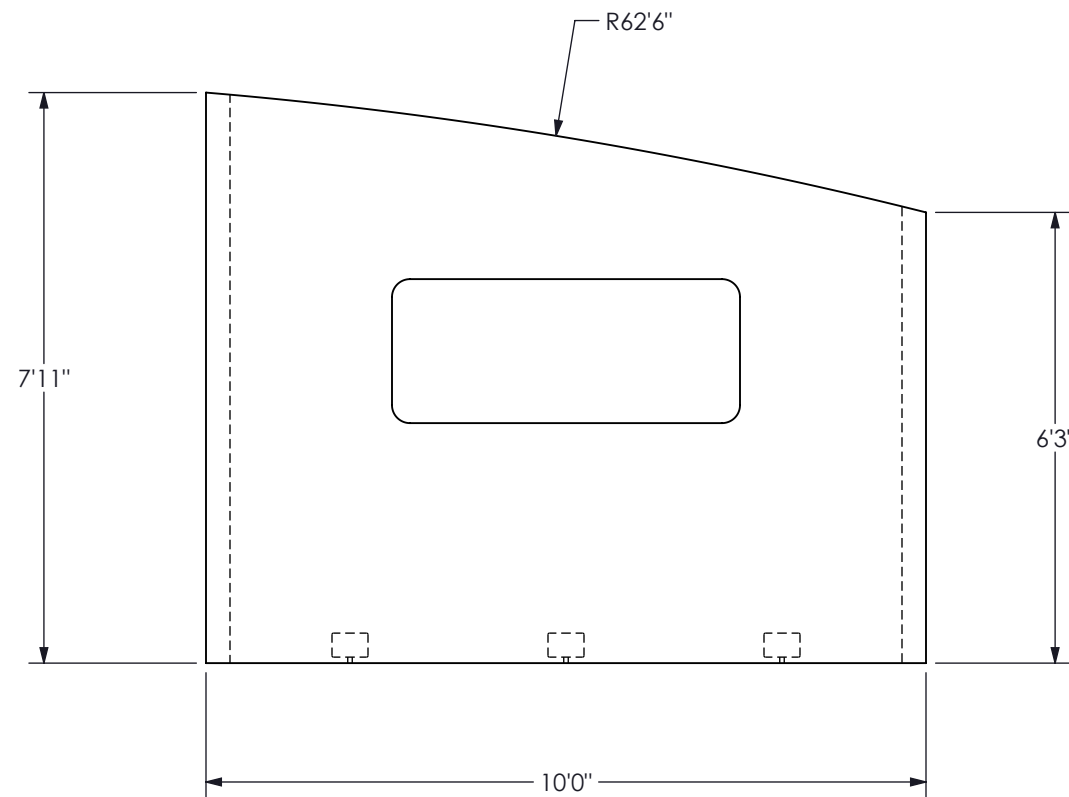
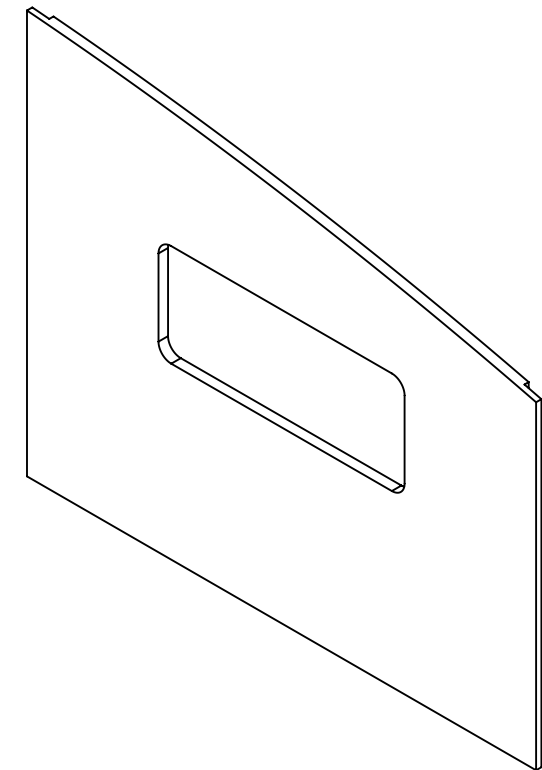
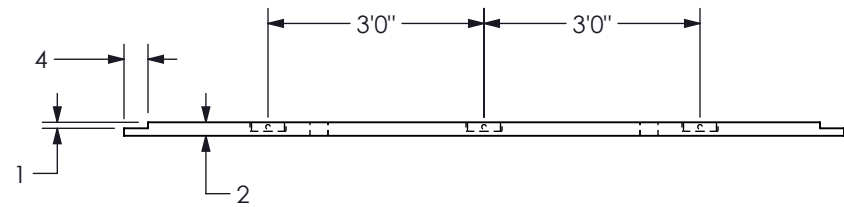


The attached information is the exclusive property of UGLS and is protected under the copyright laws of the United States and other countries. All persons to whom this information is shared agree that they will not make use of, or disclose to any third party, this information without the expressed written permission of UGLS. Any unauthorized use of this information may constitute a violation of the United States Copyright Act.



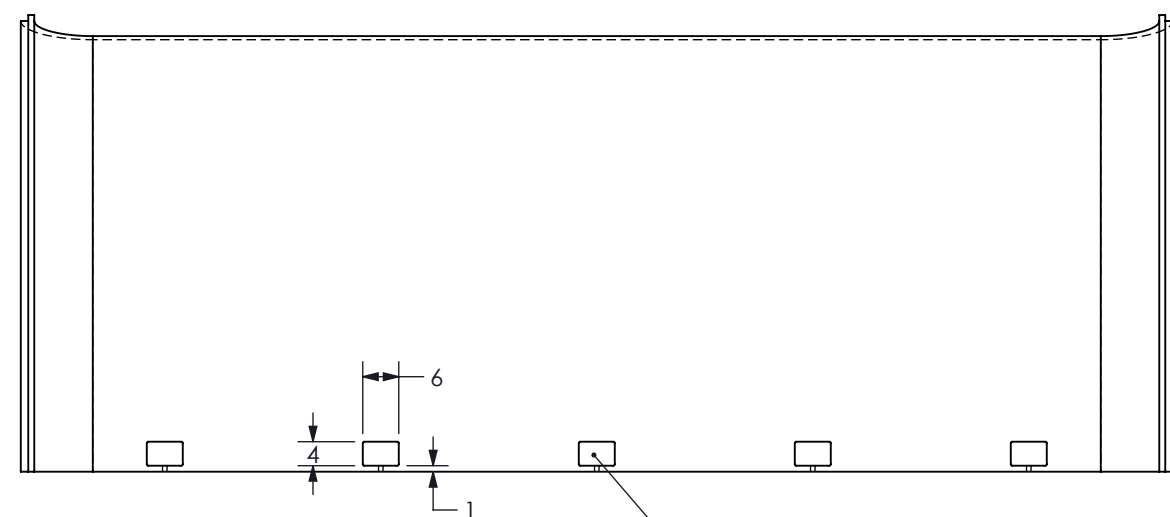
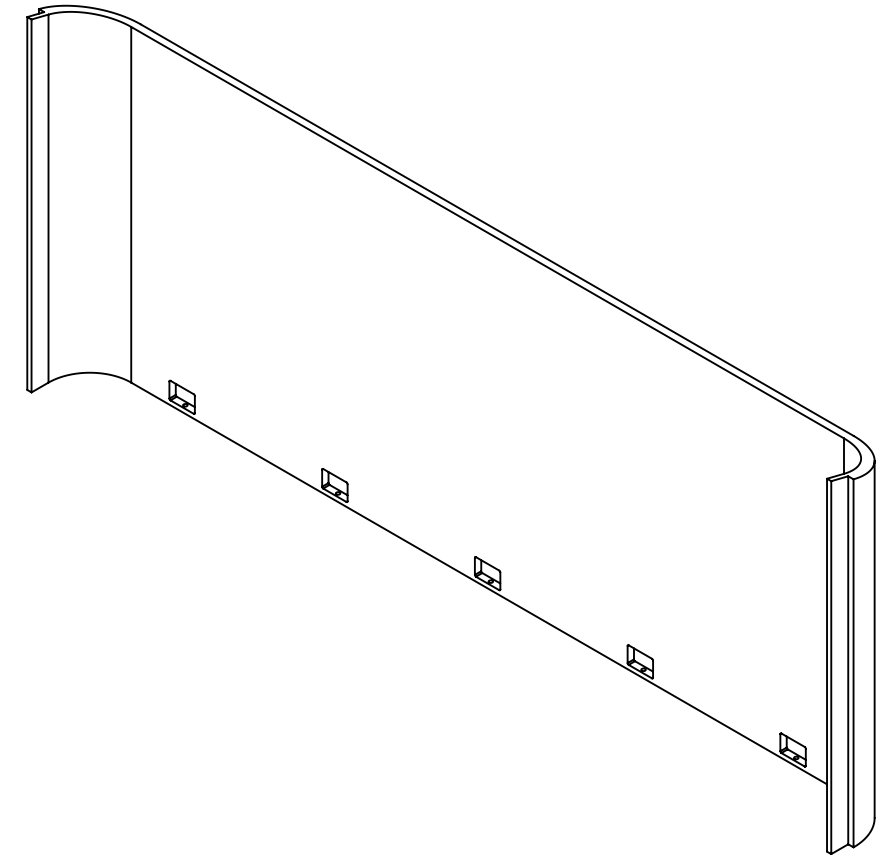
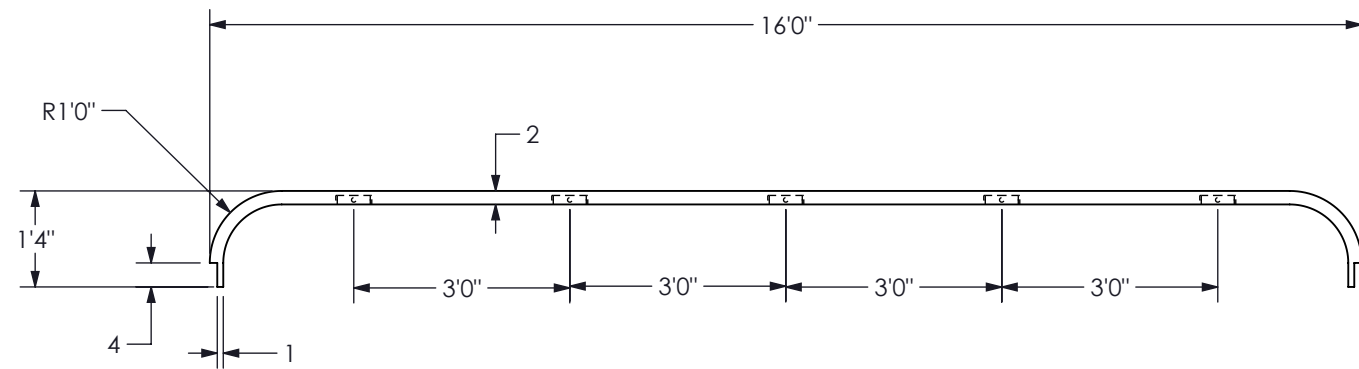
The attached information is the exclusive property of UGLS and is protected under the copyright laws of the United States and other countries. All persons to whom this information is shared agree that they will not make use of, or disclose to any third party, this information without the expressed written permission of UGLS. Any unauthorized use of this information may constitute a violation of the United States Copyright Act.

PROJECT: FUTURO HOMES	JOB #:	PART #: FH200-002	DRAWING #:	PART NAME: FRONT WALL	VERSION:	TOLERANCES DECIMAL: .015 FRACTIONS: 1/32 XXX = ±.015 XX = ±.030 X = ±.1	ANGLE = ±1/2°	<b>PROTOTYPE</b> FOR PROTOTYPE OR QUOTE ONLY	SHEET: 4 OF 10
MATERIAL:	FINISH:	SCALE: 1:32	DATE: 8/17/2023	DRAWN BY: N.RUMSCHLAG					

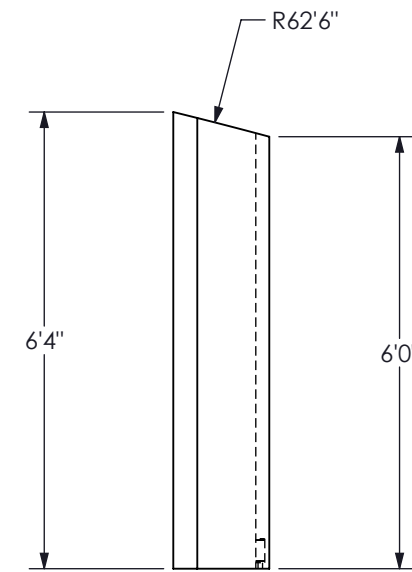


The attached information is the exclusive property of UGLS and is protected under the copyright laws of the United States and other countries. All persons to whom this information is shared agree that they will not make use of, or disclose to any third party, this information without the expressed written permission of UGLS. Any unauthorized use of this information may constitute a violation of the United States Copyright Act.

PROJECT: FUTURO HOMES	JOB #:	PART #: FH200-003	DRAWING #:	PART NAME: RIGHT SIDE WALL	VERSION:	TOLERANCES DECIMAL: .015 FRACTIONS: 1/32 XXX = ±.015 XX = ±.030 X = ±.1	PROTOTYPE FOR PROTOTYPE OR QUOTE ONLY	SHEET: 5 OF 10
MATERIAL:	FINISH:	SCALE: 1:32	DATE: 8/17/2023	DRAWN BY: N.RUMSCHLAG				

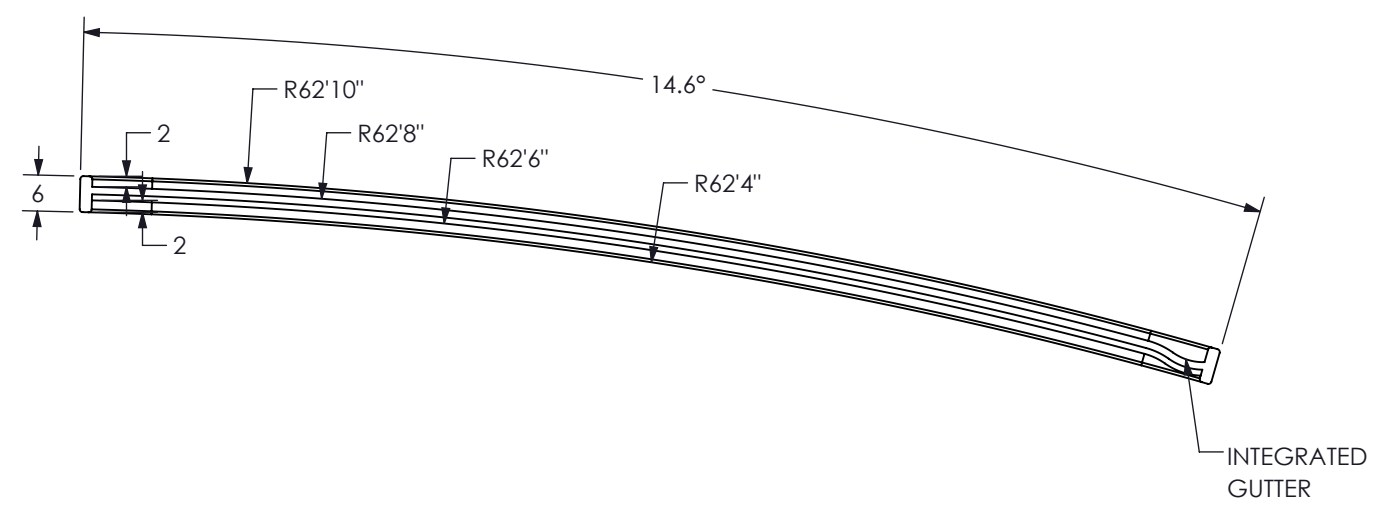
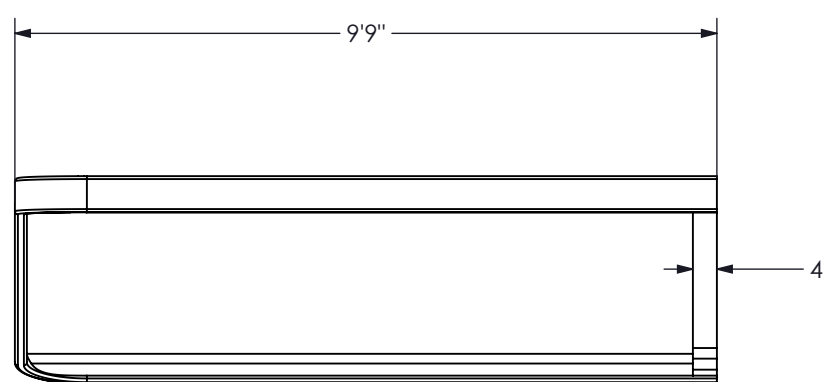
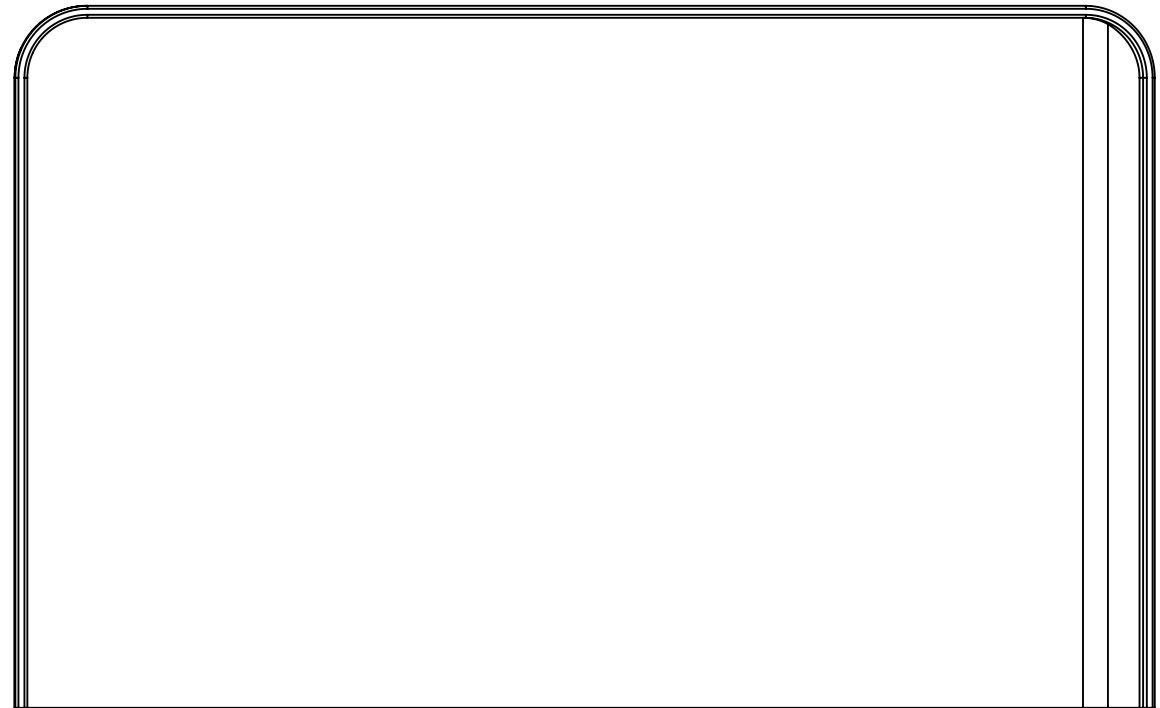
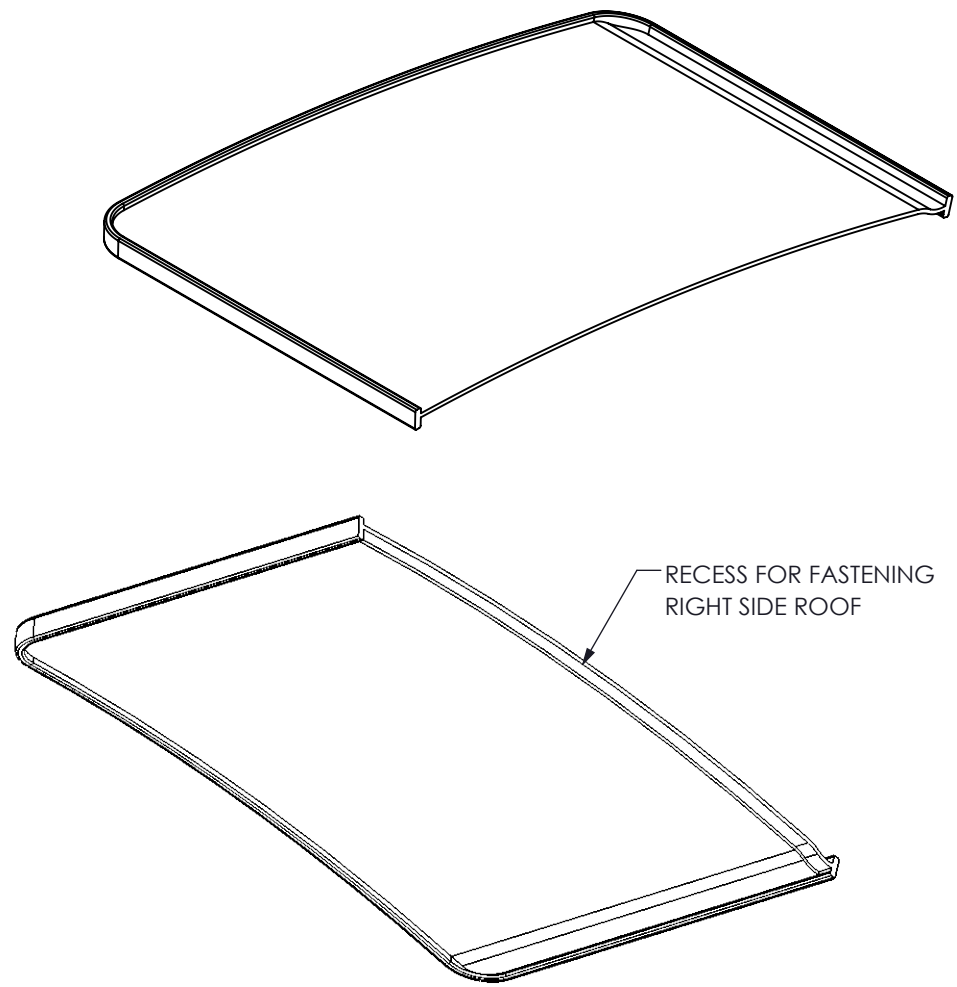


FLOOR ANCHOR POCKETS



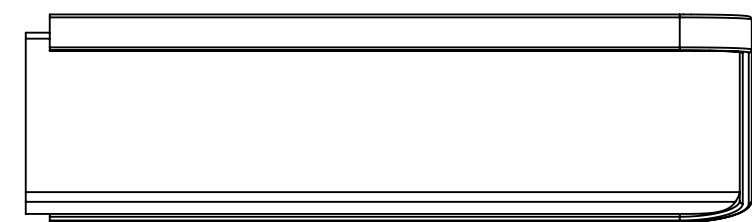
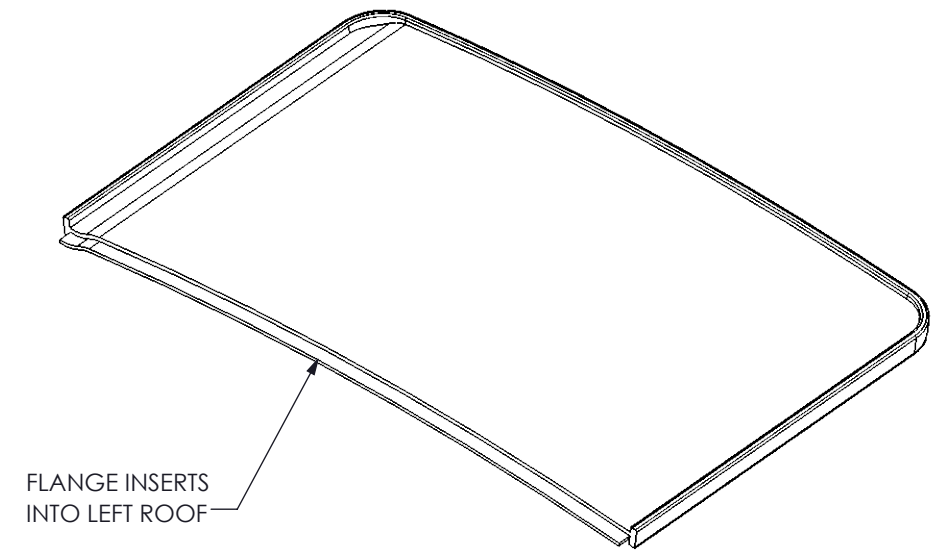
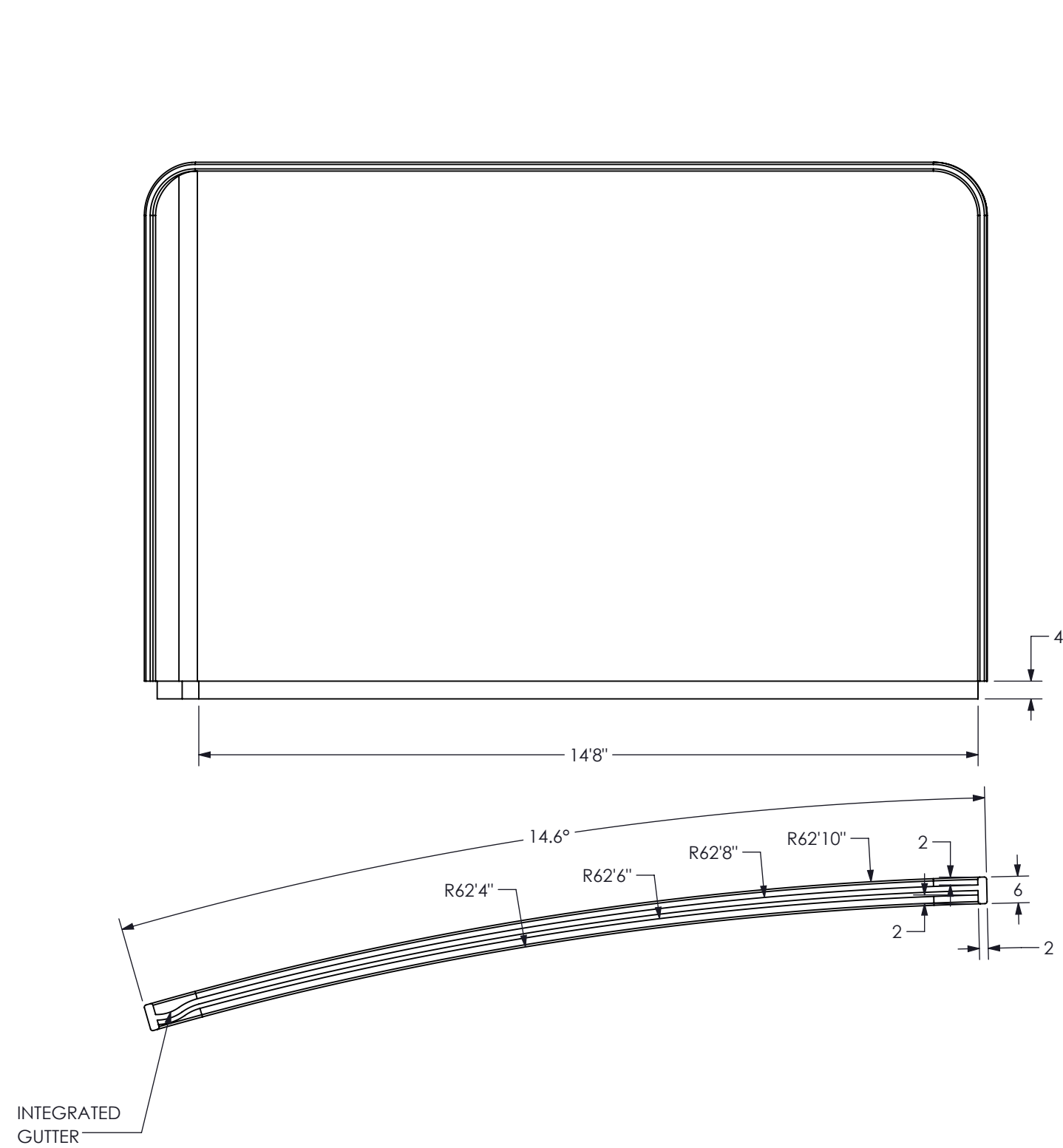
The attached information is the exclusive property of UGLS and is protected under the copyright laws of the United States and other countries. All persons to whom this information is shared agree that they will not make use of, or disclose to any third party, this information without the expressed written permission of UGLS. Any unauthorized use of this information may constitute a violation of the United States Copyright Act.

PROJECT: FUTURO HOMES	JOB #:	PART #: FH200-004	DRAWING #:	PART NAME: BACK WALL	VERSION:	TOLERANCES DECIMAL = ± .015 FRACTIONS = ± 1/32 XXX = ± .030 ANGLE = ± 1/2° XX = ± .030 X = ± .1	PROTOTYPE FOR PROTOTYPE OR QUOTE ONLY	SHEET: 6 OF 10
MATERIAL:	FINISH:	SCALE: 1:32	DATE: 8/17/2023	DRAWN BY: N.RUMSCHLAG				



The attached information is the exclusive property of UGLS and is protected under the copyright laws of the United States and other countries. All persons to whom this information is shared agree that they will not make use of, or disclose to any third party, this information without the expressed written permission of UGLS. Any unauthorized use of this information may constitute a violation of the United States Copyright Act.

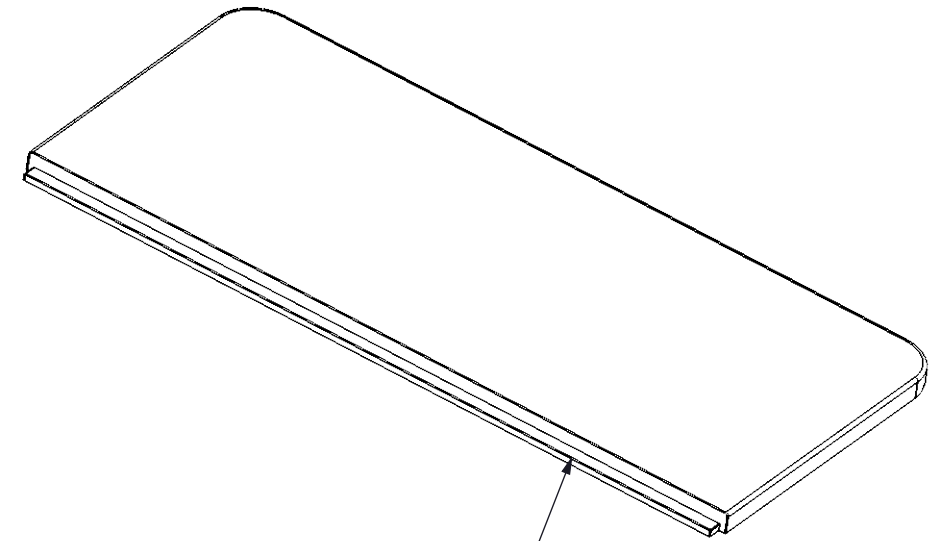
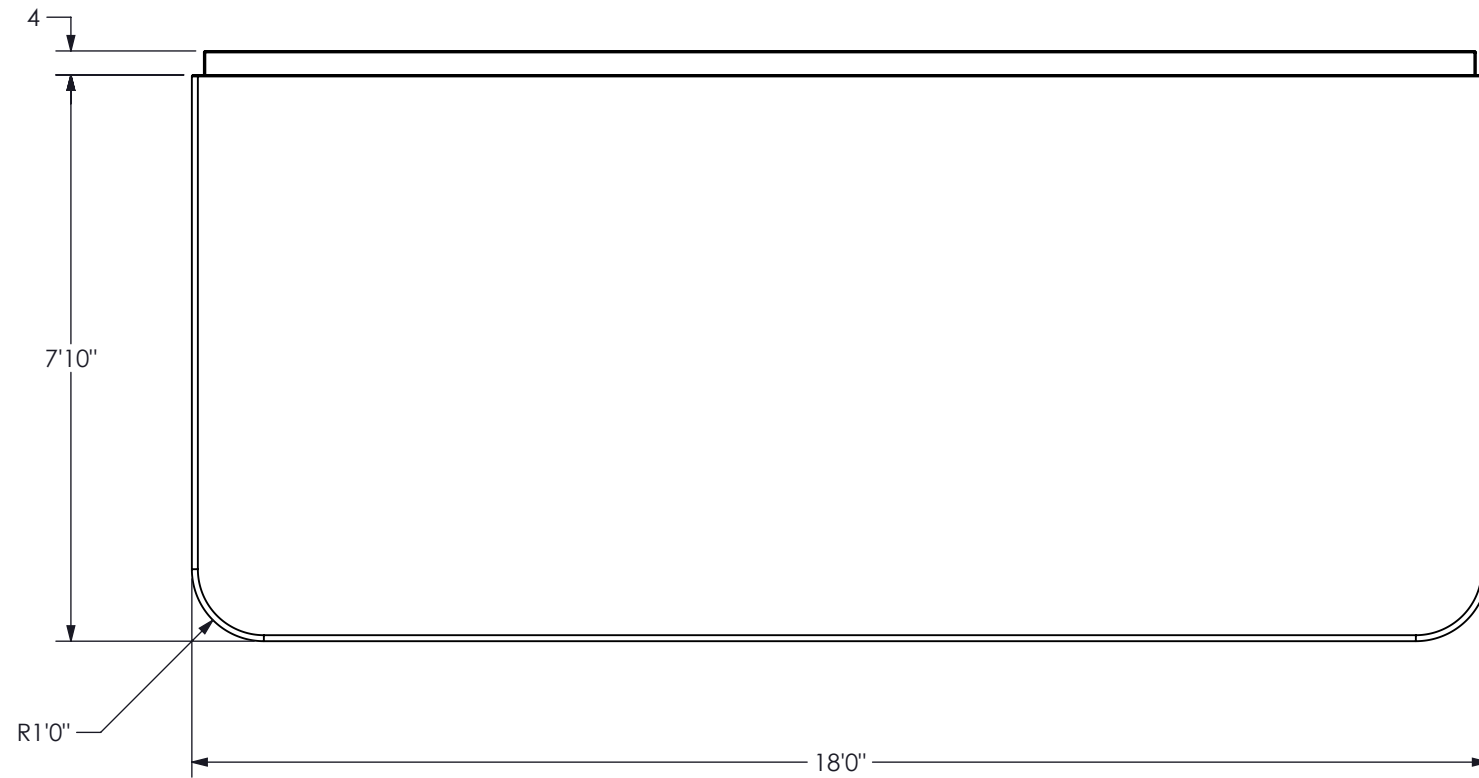
PROJECT: FUTURO HOMES	JOB #:	PART #: FH200-005	DRAWING #:	PART NAME: LEFT SIDE ROOF	VERSION:	TOLERANCES DECIMAL = ± .015 FRACTIONS = ± 1/32 XXX = ± .015 XX = ± .030 X = ± .1	ANGLE = ± 1/2°	<b>PROTOTYPE</b> FOR PROTOTYPE OR QUOTE ONLY	SHEET: 7 OF 10
MATERIAL:	FINISH:	SCALE: 1:32	DATE: 8/17/2023	DRAWN BY: N.RUMSCHLAG					



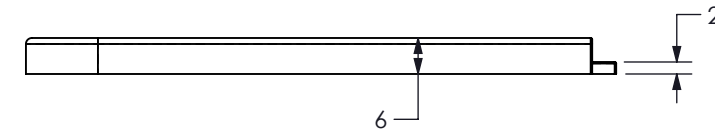
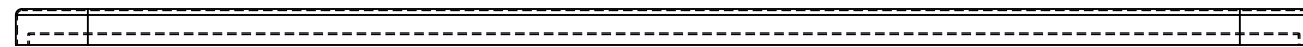
The attached information is the exclusive property of UGLS and is protected under the copyright laws of the United States and other countries. All persons to whom this information is shared agree that they will not make use of, or disclose to any third party, this information without the expressed written permission of UGLS. Any unauthorized use of this information may constitute a violation of the United States Copyright Act.

PROJECT: FUTURO HOMES	JOB #:	PART #: FH200-007	DRAWING #:	PART NAME: RIGHT SIDE ROOF	VERSION:	TOLERANCES DECIMAL: .015 FRACTIONS: 1/32 XXX = ±.015 XX = ±.030 X = ±.1	ANGLE: ±1/2°	<b>PROTOTYPE</b> FOR PROTOTYPE OR QUOTE ONLY	SHEET: 8 OF 10
MATERIAL:	FINISH:	SCALE: 1:32	DATE: 8/17/2023	DRAWN BY: N.RUMSCHLAG					

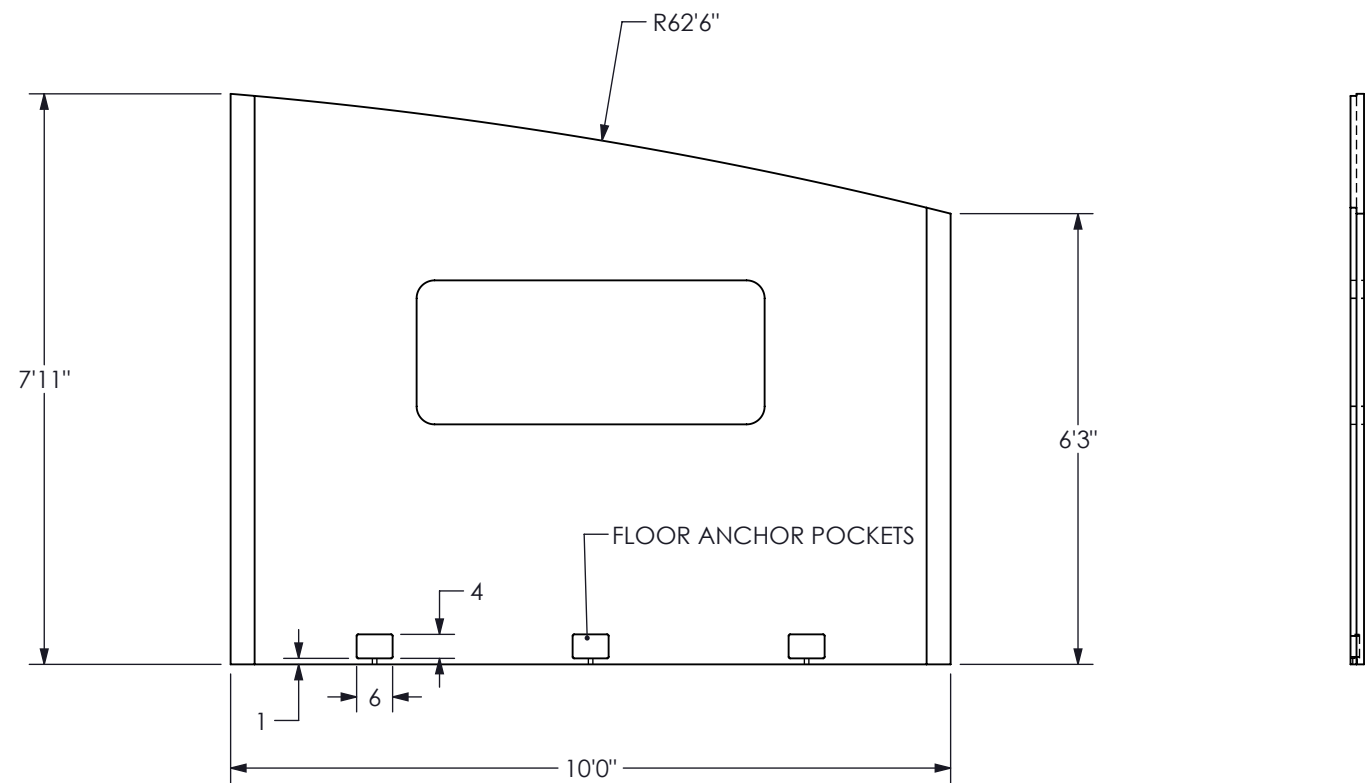
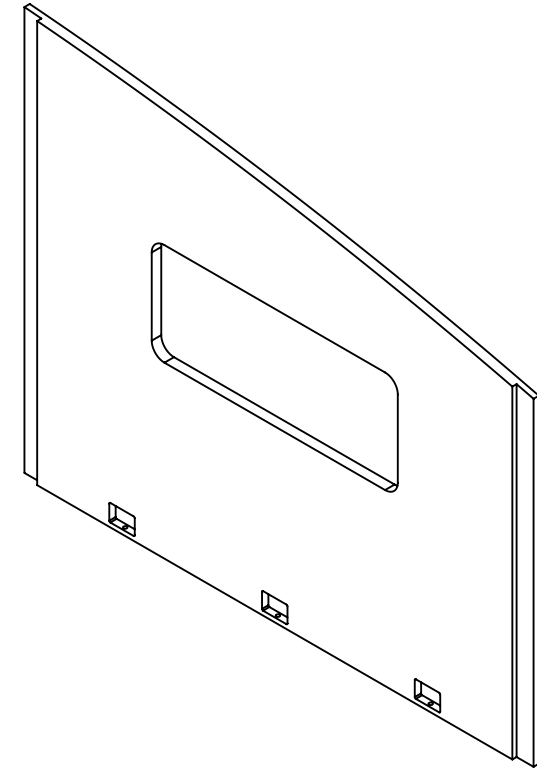
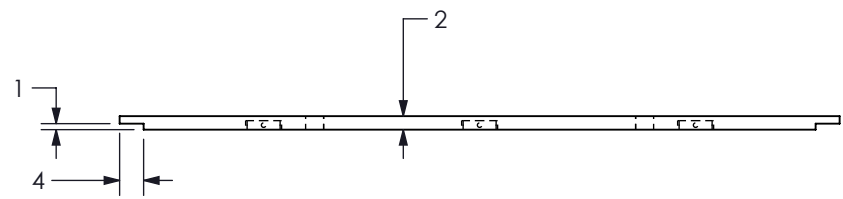




FLANGE INSERTS INTO FRONT BASE



The attached information is the exclusive property of UGLS and is protected under the copyright laws of the United States and other countries. All persons to whom this information is shared agree that they will not make use of, or disclose to any third party, this information without the expressed written permission of UGLS. Any unauthorized use of this information may constitute a violation of the United States Copyright Act.



The attached information is the exclusive property of UGLS and is protected under the copyright laws of the United States and other countries. All persons to whom this information is shared agree that they will not make use of, or disclose to any third party, this information without the expressed written permission of UGLS. Any unauthorized use of this information may constitute a violation of the United States Copyright Act.

PROJECT: FUTURO HOMES	JOB #:	PART #: FH200-009	DRAWING #:	PART NAME: LEFT SIDE WALL	VERSION:	TOLERANCES DECIMAL: .015 FRACTIONS: 1/32 XXX = ±.015 ANGLE = ±1/2° XX = ±.030 X = ±.1	PROTOTYPE FOR PROTOTYPE OR QUOTE ONLY	SHEET: 10 of 10
MATERIAL:	FINISH:	SCALE: 1:32	DATE: 8/17/2023	DRAWN BY: N.RUMSCHLAG				