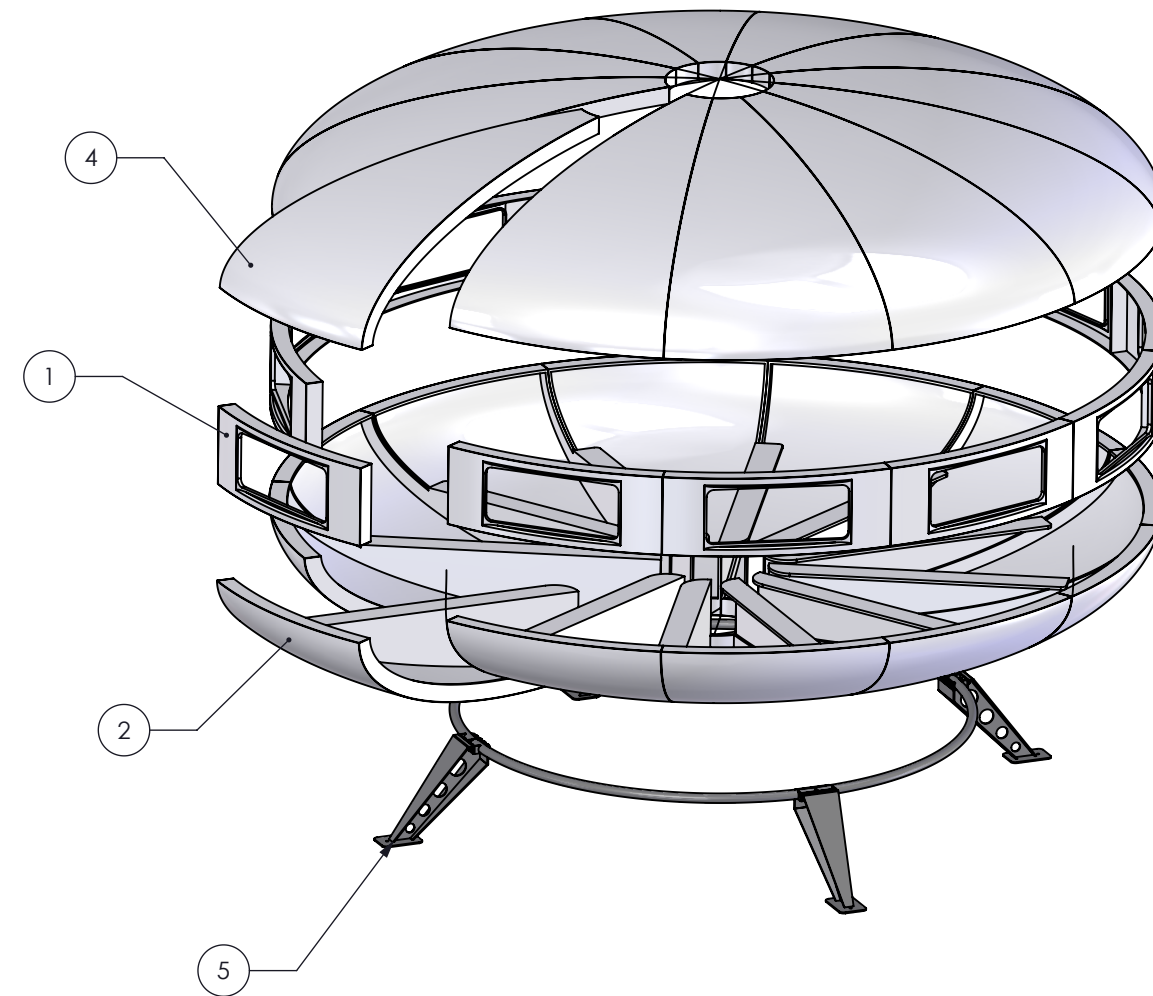
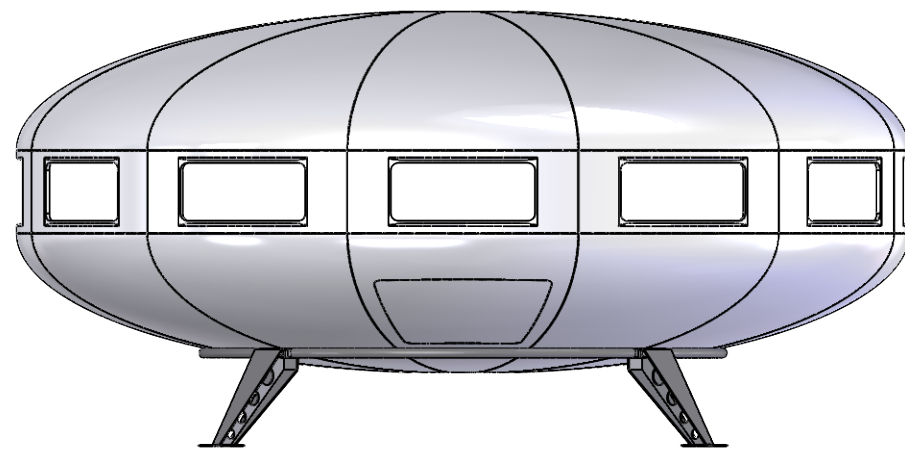
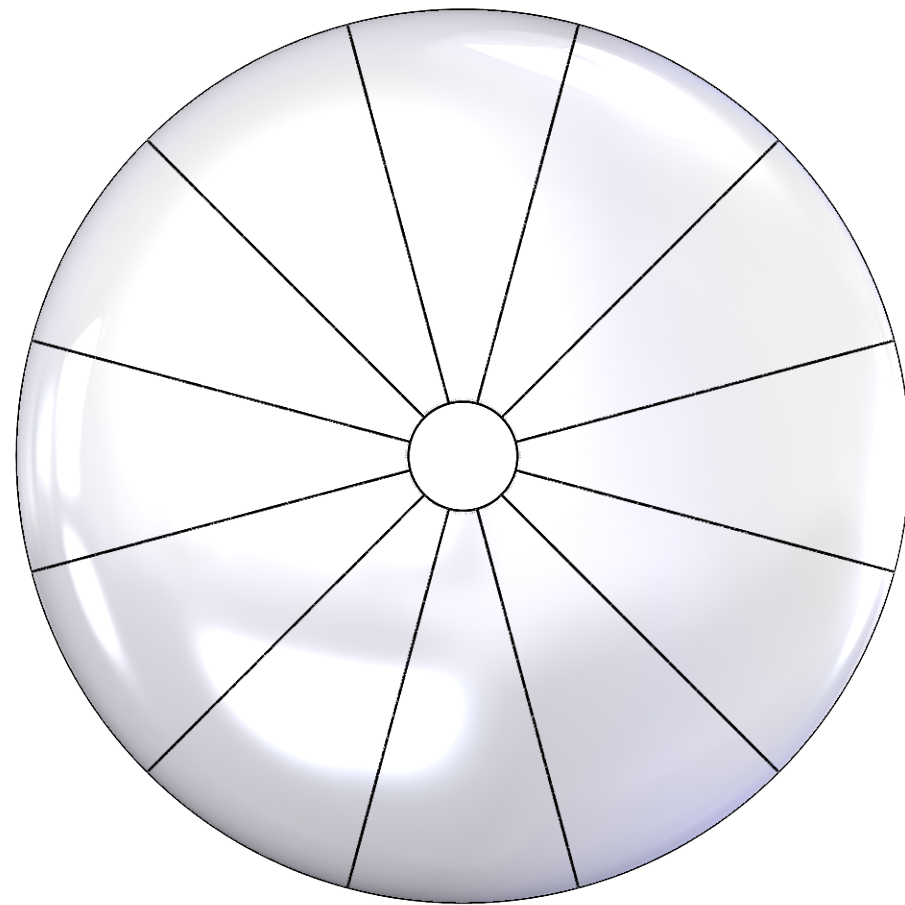
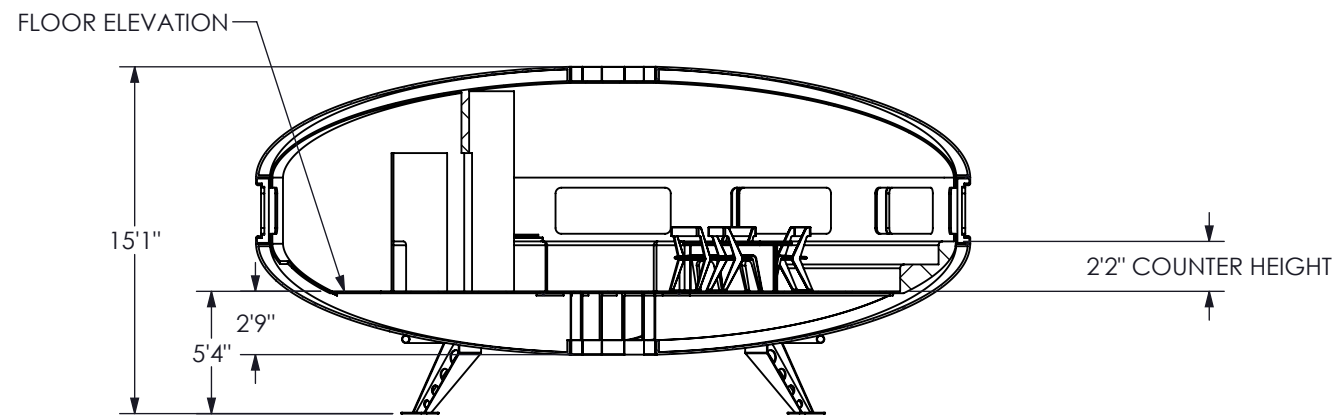
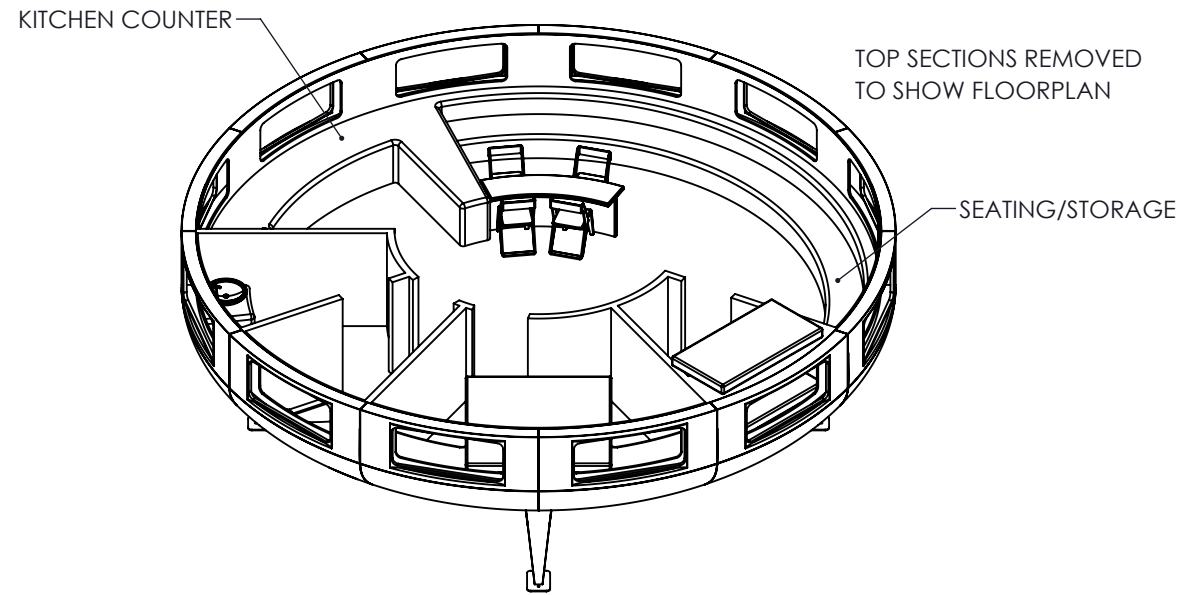
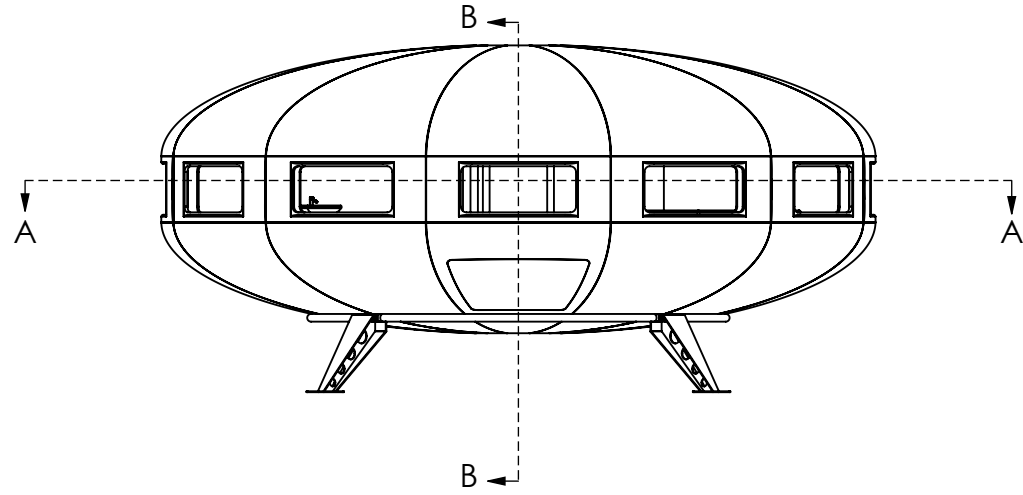


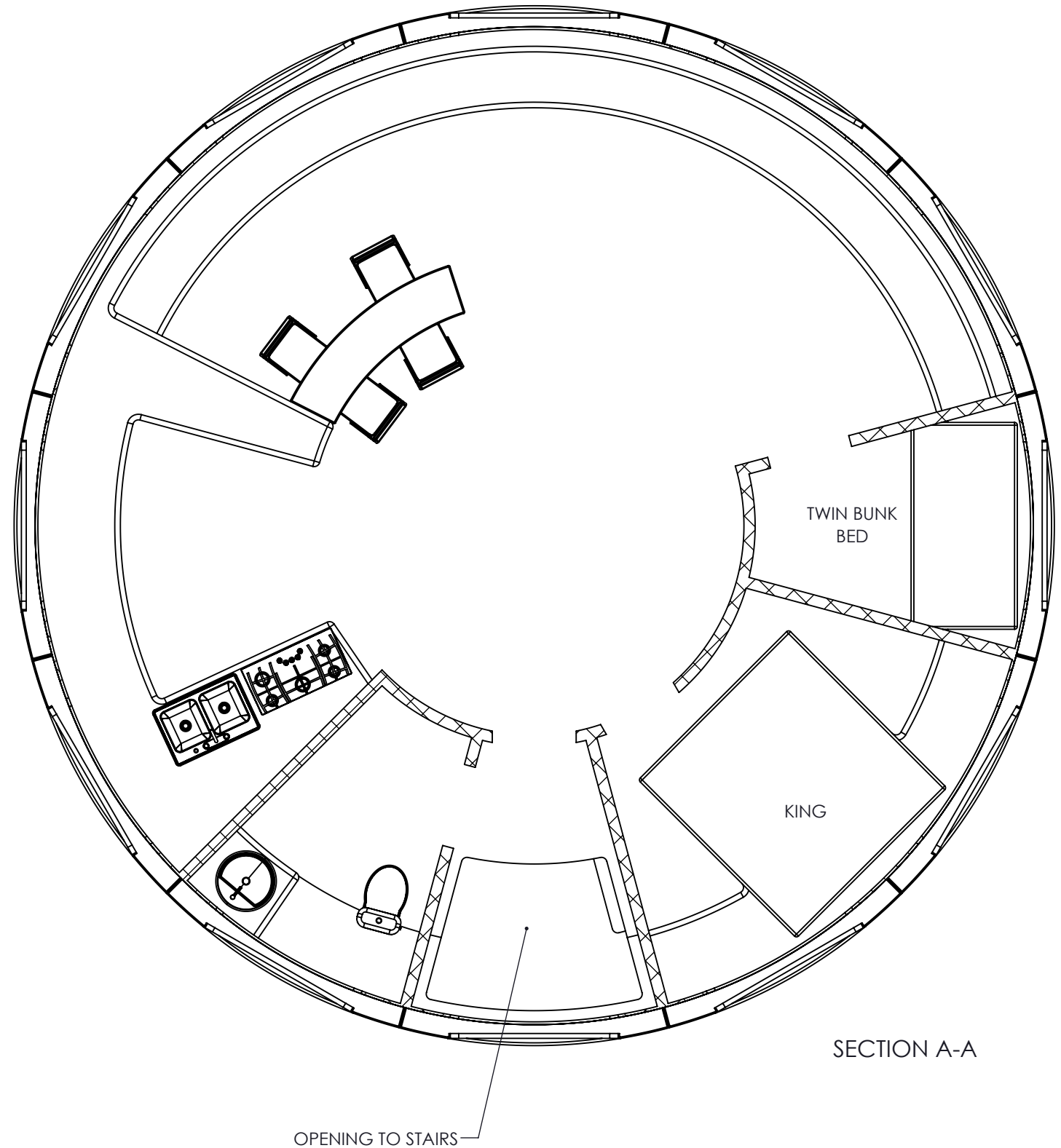
ITEM NO.	PART NUMBER	DESCRIPTION	QTY.
1	023001-FG-001	WINDOW SECTION	12
2	023001-FG-002	BOTTOM SECTION	11
3	023001-FG-002	BOTTOM SECTION (STAIR CUTOUT)	1
4	023001-FG-003	TOP SECTION	12
5	023001-FA-001	BASE ASSEMBLY	1



The attached information is the exclusive property of UGLS and is protected under the copyright laws of the United States and other countries. All persons to whom this information is shared agree that they will not make use of, or disclose to any third party, this information without the expressed written permission of UGLS. Any unauthorized use of this information may constitute a violation of the United States Copyright Act.



SECTION B-B  
SCALE 1 : 100



SECTION A-A

The attached information is the exclusive property of UGLS and is protected under the copyright laws of the United States and other countries. All persons to whom this information is shared agree that they will not make use of, or disclose to any third party, this information without the expressed written permission of UGLS. Any unauthorized use of this information may constitute a violation of the United States Copyright Act.

PROJECT: UFO HOUSE	JOB #: 023001	PART #: 023001-FGA-001	DRAWING #:	PART NAME: UFO HOUSE ASSEMBLY	VERSION:	TOLERANCES DECIMAL: .015 FRACTIONS: 1/32 XXX = ±.015 XX = ±.030 X = ±.1	ANGLE: ±1/2°	<b>PROTOTYPE</b> FOR PROTOTYPE OR QUOTE ONLY	SHEET: 2 OF 2
MATERIAL: N/A	FINISH: N/A	SCALE: 1:50	DATE: 9/12/2023	DRAWN BY: N.RUMSCHLAG					